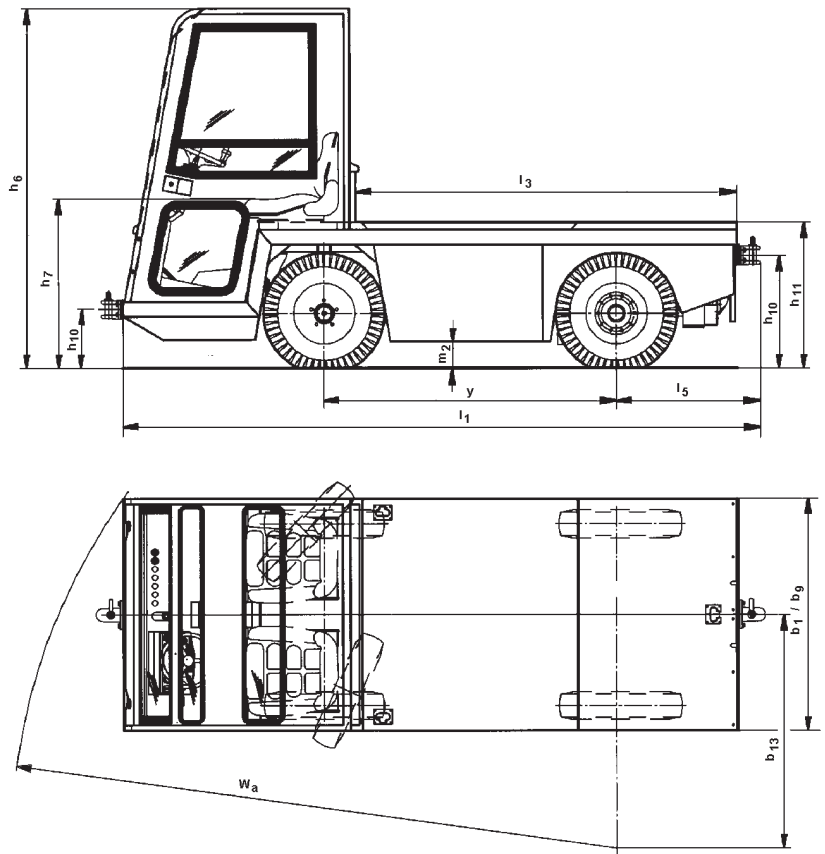




Electric Platform Truck
Explosion-proof, three-phase current techn.

EFW



EFW 20-25XE2/..ST/..SP
Technical Data

MIAG Fahrzeugbau GmbH
Kocherstr. 1, 38120 Braunschweig
Fon ++49 (0531) 8 66 01-0
Fax ++49 (0531) 8 66 01-50
www.miag.de / info@miag.de



Technical Data

(in accord. with VDI 2198)

Electric Platform Truck EFW 20-25XE2/ ..ST/ ..SP, explosion-proof, three-phase current technology

Explosion protection: the devices are tested and approved by the Physikalisch Technische Bundesanstalt (PTB) (Physical-Technical Federal Institute) for use in areas at risk of explosion according to the following protection classes**: Gas explosion protection - suitable for use in explosive areas, zones 1 and 2 according to BetrSichV within explosion sub-groups IIA and IIB and temperature classes T1 to T4 and 120°C; Dust explosion protection: - suitable for use in explosive areas, zones 21 and 22 according to BetrSichV at surface temperatures of maximum 115°C.

Explosive substance protected according to BGR 123 for all explosive substances and approved by the TÜV Süd Gruppe, test cert. no. 100407-SP-001

Description

1.1	Manufacturer (Make [abbreviation])		MIAG	MIAG		
1.2	Type designation of the manufacturer		EFW 20XE2 ..	EFW 25XE2 ..		
1.3	Drive Battery, Diesel, Petrol, fuel gas, mains current		Battery	Battery		
1.4	Operation Hand, Pedestrian, stand-on, driver-seated		Driver seated	Driver seated		
1.5	Carrying capacity / Load	Q (t)	2,0	2,5		
1.7	Rated pulling power	F (N)	-	-		
1.9	Wheel base	y (mm)	1570	1570		

Weights **

2.1	Dead weight without/with cabin	kg	3050 / 3200	3050 / 3200		
2.2	Axle load without cabin laden front/rear	kg	2250 / 2800	2250 / 2800		
	Axle load with cabin laden front/rear	kg	2400 / 2800	2400 / 2800		
2.3	Axle load without cabin unladen front/rear	kg	1700 / 1350	1700 / 1350		
	Axle load with cabin unladen front/rear	kg	1900 / 1300	1900 / 1300		

Wheels, Chassis

3.1	Tyres Pneumatic, Solid, Vulcollan		Sup.cush./Pneum.	Sup.cush./Pneum.		
3.2	Dimension in front		23x5	23x5		
3.3	Dimension at the rear		23x5	23x5		
3.5	Wheels number front / rear, x=driven		2 / 2x	2 / 2x		
3.6	Truck width front	b_{10} (mm)	930	930		
3.7	Truck width rear	b_{11} (mm)	1010	1010		

Base dimensions

4.7	Height above overhead guard (cabin) **	h_6 (mm)	2170	2170		
4.8	Seat height	h_7 (mm)	1025	1025		
4.12	Height coupling front/rear	h_{10} (mm)	450 / 745	450 / 745		
4.13	Loading height unladen	h_{11} (mm)	920	920		
4.16	Loading area length **	l_3 (mm)	2000	2000		
4.17	Overhang **	l_5 (mm)	780	780		
4.18	Loading area width	b_9 (mm)	1250	1250		
4.19	Length total **	l_1 (mm)	3430	3430		
4.21	Width total	b_1 (mm)	1250 / 1300*	1250 / 1300*		
4.32	Ground clearance centre wheel base laden / unladen	m_2 (mm)	275 / 250	275 / 250		
4.35	Turning radius **	W_a (mm)	3330	3330		
4.36	min. fulcrum distance **	b_{13} (mm)	1350	1350		

Performance

5.1	Speed travel laden / unladen	km / h	16 / 18	16 / 18		
5.5	draw-bar pull laden / unladen (outside expl.-proof area)	N	10000/10000	10000/10000		
5.6	max. draw-bar pull laden/unladen (outs. expl.-proof area)	N	on application	on application		
5.7	Climbing capacity with / without load	%	8 / 16	8 / 16		
5.8	Max. gradeability laden / unladen	%	on application	on application		
5.10	Service brake		electr. / mech.	electr. / mech.		

E-Motor

6.1	Traction motor, output / 1 hour rating	kW	8	8		
6.2	Hydraulic motor, output / 1 hour rating	kw	5	5		
6.3	Battery according to DIN 43531 / 35 / 36, A / B / C, no		no	no		
6.4	Battery voltage / Capacity K_s	V / Ah	80 / 240, 320	80 / 240, 320		
6.5	Battery weight	kg	880	880		

Others

8.1	Motor control type		pulse	pulse		
8.4	Sound level at driver's ear to EN12053	dB (A)	-	-		
8.5	Coupling, Kind / Type DIN **		-	-		

* with cabine

** depending on device version