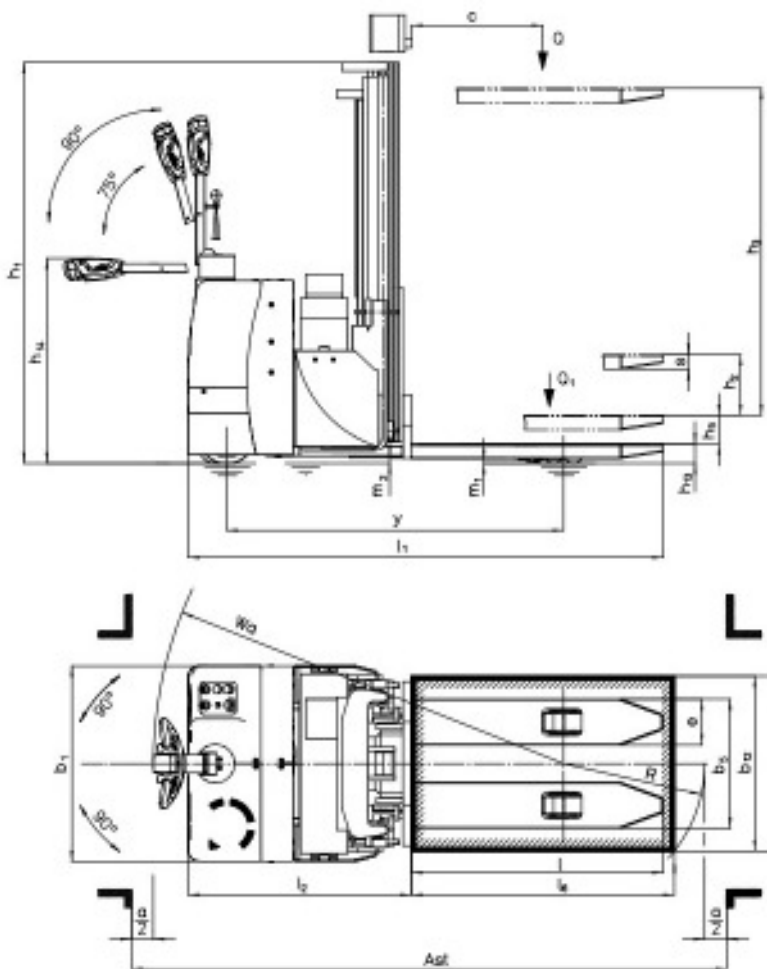




Pedestrian High Lift PalletTruck
 with initial lift, explosion-proof, three-phase
 current techn.

EGI



$$A_{st} = W_a + R + a$$

- A_{st} = Aisle width between stacks
- a = Safety distance = 200 mm
- b_{12} = Pallet width (e.g. 800 or 1000 mm)
- l_6 = Pallet length (e.g. 1200 mm)

$Q_1 = 2000$ kg
 Initial lift load

EGI 12-20XE3 /..H2 /..ST
Technical Data



Technical Data

Pedestrian High Lift Pallet Truck with Initial Lift EGI 12-20XE3/ ..H2/..ST, explosion-proof, three-phase current technology

(in accord. with VDI 2198)

Explosion protection: the devices are tested and approved by the Physikalisch Technische Bundesanstalt (PTB) (Physical-Technical Federal Institute) for use in areas at risk of explosion according to the following protection classes****: Gas explosion protection - suitable for use in explosive areas, zones 1 and 2 according to BetrSichV within explosion sub-groups IIA and IIB or IIB + H2 and temperature classes T1 to T4; Dust explosion protection: - suitable for use in explosive areas, zones 21 and 22 according to BetrSichV at surface temperatures of maximum 130°C.

Description

1.1	Manufacturer (Make [abbreviation])		MIAG	MIAG	MIAG
1.2	Type designation of the manufacturer		EGI 12XE3 ..	EGI 15XE3 ..	EGI 20XE3 ..
1.3	Drive Battery, Diesel, Petrol, fuel gas, mains current		Battery	Battery	Battery
1.4	Operation Hand, Pedestrian, stand-on, driver-seated		Pedestrian	Pedestrian	Pedestrian
1.5	Carrying capacity / Load	Q (t)	1,2	1,5	2,0
1.6	Load centre	c (mm)	600	600	600
1.8	Load distance, mast lowered	x (mm)	-	-	-
1.9	Wheel base	y (mm)	1538	1538	1538

Weights

2.1	Dead weight	kg	1570	1600	1640
2.2	Axle load laden front/rear	kg	1250 / 1520	1290 / 1910	1430 / 2210
2.3	Axle load unladen front/rear	kg	1100 / 470	1120 / 480	1150 / 490

Wheels, Chassis

3.1	Tyres Pneumatic, Solid, Vulcollan		Solid / Vul.	Solid / Vul.	Solid / Vul.
3.2	Dimension in front		Ø 260 x 85	Ø 260 x 85	Ø 260 x 85
3.3	Dimension at the rear		Ø 85 x 76	Ø 85 x 76	Ø 85 x 76
3.4	Additional wheels (dimensions)		Ø 160 x 50	Ø 160 x 50	Ø 160 x 50
3.5	Wheels number front / rear, x=driven		2, 1x / 4	2, 1x / 4	2, 1x / 4
3.6	Truck width front	b_{10} (mm)	567	567	567
3.7	Truck width rear	b_{11} (mm)	380	380	380

Base dimensions ***

4.2	Height of mast, lowered	h_1 (mm)	1805*	1805*	1805*
4.3	Free lift	h_2 (mm)	0*	0*	0*
4.4	Lift at double mast	h_3 (mm)	2500*	2500*	2500*
4.5	Height of mast, raised	h_4 (mm)	3065*	3065*	3065*
4.6	Initial lift	h_5 (mm)	130	130	130
4.9	Height of tiller arm (in drive position) min. / max.	h_{14} (mm)	940	940	940
4.15	Height lowered	h_{13} (mm)	89	89	89
4.19	Length total	l_1 (mm)	2130	2130	2130
4.20	Length including shank	l_2 (mm)	980	980	980
4.21	Width total	b_1 (mm)	892	892	892
4.22	Fork dimensions	$s/e/l$ (mm)	66/180/1150	66/180/1150	66/190/1150
4.24	Fork carriage width	b_3 (mm)	-	-	-
4.25	Outside spread of fork arms	b_5 (mm)	560	560	570
4.31	Ground clearance with load under lifting frame	m_1 (mm)	23 / 153	23 / 153	23 / 153
4.32	Ground clearance centre wheel base (lowest point)	m_2 (mm)	25 / 155	25 / 155	25 / 155
4.33	Aisle width for pallets 1000x1200 along	A_{st} (mm)	2785	2785	2785
4.34	Aisle width for pallets 800x1200 along	A_{st} (mm)	2718	2718	2718
4.35	Turning radius	W_a (mm)	1874	1874	1874

Performance

5.1	Speed travel laden / unladen	km / h	5,3 / 5,5	5,3 / 5,5	5,3 / 5,5
5.2	Speed lift laden / unladen	m / s	0,12 / 0,12	0,12 / 0,12	0,1 / 0,12
5.3	Speed lower laden / unladen	m / s	0,2 / 0,2	0,25 / 0,2	0,3 / 0,2
5.7	Climbing capacity with / without load	%	8 / 10	7 / 9	5 / 9
5.8	Max. gradeability laden / unladen	%	-	-	-
5.10	Service brake		Electrical	Electrical	Electrical

E-Motor

6.1	Traction- /Lift motor, output / 1 hour rating	kW	2,5	2,5	2,5
6.2					
6.3	Battery according to DIN 43531 / 35 / 36, A / B / C, no		no	no	no
6.4	Battery voltage / Capacity K_s	V / Ah	24 / 240, 270, 315, 375		
6.5	Battery weight	kg	min. 310		
6.6					

Others

8.1	Motor control type		frequency conv.	frequency conv.	frequency conv.

* this quotation is for the basic variant with SV mast design

**

*** with mast design in series, further designs on request

**** depending on device version