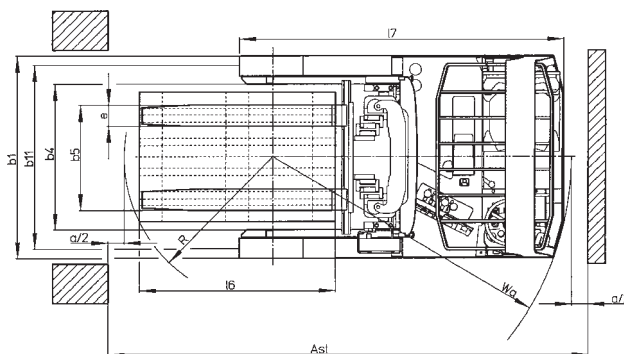
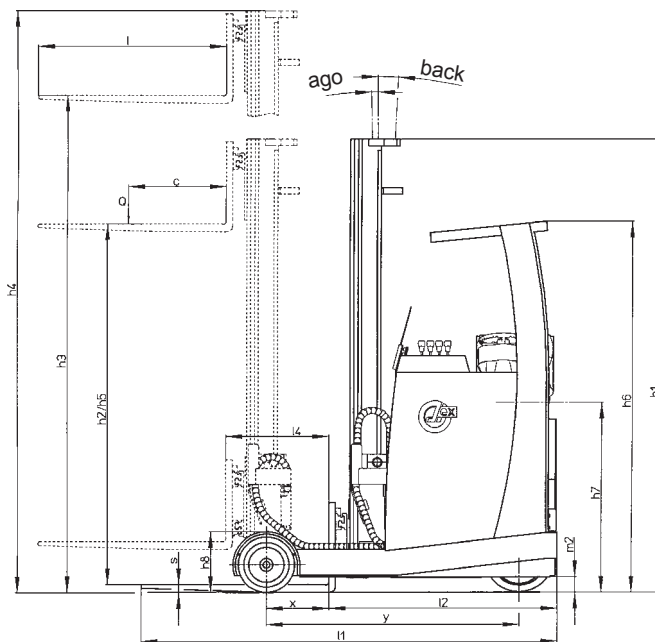




Electric Reach Truck

Explosion-proof, three-phase current techn.

EFM



$A_{st} = W_a + R + a$
 A_{st} = Aisle width between stacks
 a = Safety distance = 200 mm
 l_6 = Pallet length (e.g. 1200 mm)

EFM 16-25XE3 / ..H2 / ..ST
Technical Data



Technical Data **Electric reach truck EFM 16-25XE3/ ..H2/ ..ST,**
 (in accord. with VDI 2198) **explosion-proof, three-phase current technology**

Explosion protection: the devices are tested and approved by the Physikalisch Technische Bundesanstalt (PTB) (Physical-Technical Federal Institute) for use in areas at risk of explosion according to the following protection classes^{A*}: Gas explosion protection - suitable for use in explosive areas, zones 1 and 2 according to BetrSichV within explosion sub-groups IIA and IIB or IIB + H2 and temperature classes T1 to T4; Dust explosion protection: - suitable for use in explosive areas, zones 21 and 22 according to BetrSichV at surface temperatures of maximum 130°C.

Description					
1.1	Manufacturer (Make [abbreviation])		MIAG	MIAG	MIAG
1.2	Type designation of the manufacturer		EFM 16XE3..	EFM 20XE3..	EFM 25XE3..
1.3	Drive Battery, Diesel, Petrol, fuel gas, mains current		Battery	Battery	Battery
1.4	Operation Hand, Pedestrian, stand-on, driver-seated		Driver seated	Driver seated	Driver seated
1.5	Carrying capacity / Load	Q (t)	1,6	2,0	2,5
1.6	Load centre	c (mm)	600	600	600
1.8	Load distance, mast lowered	x (mm)	446 (408)*	446 (408)*	446 (408)*
1.9	Wheel base	y (mm)	1550	1550	1550

Weights					
2.1	Dead weight including battery 360 Ah	kg	4030	4100	4250
2.3	Axle load unladen front/rear	kg	2480 / 1550	2540 / 1560	2640 / 1610
2.4	Axle load fork raised laden front/rear	kg	2030 / 3600	2400 / 3700	2750 / 4000
2.5	Axle load fork lowered laden front/rear	kg	-	-	-

Wheels, Chassis					
3.1	Tyres Pneumatic, Solid, Vulcollan		Vul / Vul	Vul / Vul	Vul / Vul
3.2	Dimension in front		Ø 425 / 170	Ø 425 / 170	Ø 425 / 170
3.3	Dimension at the rear		Ø 343 / 114	Ø 343 / 114	Ø 343 / 114
3.5	Wheels number front / rear, x=driven		1x / 2	1x / 2	1x / 2
3.6	Truck width front	b ₁₀ (mm)	-	-	-
3.7	Truck width rear	b ₁₁ (mm)	1135	1135	1135

Base dimensions					
4.1	Mast tilt / fork carriage, ago / back ****	Degree	1 / 3	1 / 3	1 / 3 ****
4.2	Height of mast, lowered	h ₁ (mm)	2325	2325	2325
4.3	Free lift	h ₂ (mm)	1760	1760	1760
4.4	Lift at double mast **	h ₃ (mm)	3500	3500	3500
4.5	Height of mast, raised	h ₄ (mm)	4065	4065	4065
4.7	Height above overhead guard (cabin) ***	h ₆ (mm)	2300	2300	2300
4.8	Seat height (seat load)	h ₇ (mm)	1180	1180	1180
4.10	Height of arms	h ₈ (mm)	375	375	375
4.19	Length total	l ₁ (mm)	2490	2490	2490
4.20	Length including shank (retired)	l ₂ (mm)	1340 (1378)*	1340 (1378)*	1340 (1378)*
4.21	Width total	b ₁ /b ₂ (mm)	1250	1250	1250
4.22	Fork dimensions ***	s/e/l (mm)	48/128/1150	48/128/1150	48/128/1150
4.23	Fork carriage according to DIN 15173 / ISO 2328, A/B		A	A	A
4.25	Forkoutside distance max. / min.	b ₅ (mm)	680 / 260	680 / 260	680 / 260
4.26	Width between Reach legs, inside	b ₄ (mm)	900	900	900
4.28	Feed	l ₄ (mm)	630 (560)****	630 (560)****	630 (560)****
4.31	Ground clearance with load under lifting frame	m ₁ (mm)	90	90	90
4.32	Ground clearance centre wheel base (lowest point)	m ₂ (mm)	90	90	90
4.33	Aisle width for pallets 1000x1200 cross	A _{st} (mm)	2851	2851	2851
4.34	Aisle width for pallets 800x1200 along	A _{st} (mm)	2888	2888	2888
4.35	Turning radius	W _a (mm)	1834	1834	1834
4.37	Length over arms	l ₇ (mm)	1990	1990	1990

Performance					
5.1	Speed travel laden / unladen	km / h	12	12	12
5.2	Speed lift laden / unladen	m / s	0,26 / 0,30	0,24 / 0,30	0,20 / 0,28
5.3	Speed lower laden / unladen	m / s	adjustable	adjustable	adjustable
5.4	Speed shear laden / unladen	m / s	0,14 / 0,14	0,14 / 0,14	0,14 / 0,14
5.7	Climbing capacity with / without load	%	-	-	-
5.8	Max. gradeability laden / unladen	%	10 / 15	10 / 15	8 / 13
5.9	Acceleration period laden / unladen	s	6,5 / 6	6,5 / 6	6,5 / 6
5.10	Service brake		electrical	electrical	electrical

E-Motor					
6.1	Traction motor, output / 1 hour rating	kW	8	8	8
6.2	Lift motor, output / 1 hour rating	kW	5	5	5
6.3	Battery according to DIN 43531 / 35 / 36, A / B / C, no		no	no	no
6.4	Battery voltage / Capacity K _c	V / Ah	80/420, 465	80/420, 465	80/420, 465
6.5	Battery weight	kg	1200 - 1300	1200 - 1300	1200 - 1300

Others					
8.1	Motor control type		pulse	pulse	pulse
8.2	Working pressure for attachments	bar	~150	~150	~150
8.3	Oil quantity for attachments	l / min	24	24	24
8.4	Sound level at driver's ear to EN12053	dB (A)	64	64	64

* with integrated sideshifter **** design with fork carriage tilt
 ** Further masts on request ***** from 6000mm lifting height only fork carriage tilt
 *** Other designs on request

A* depending on device version