

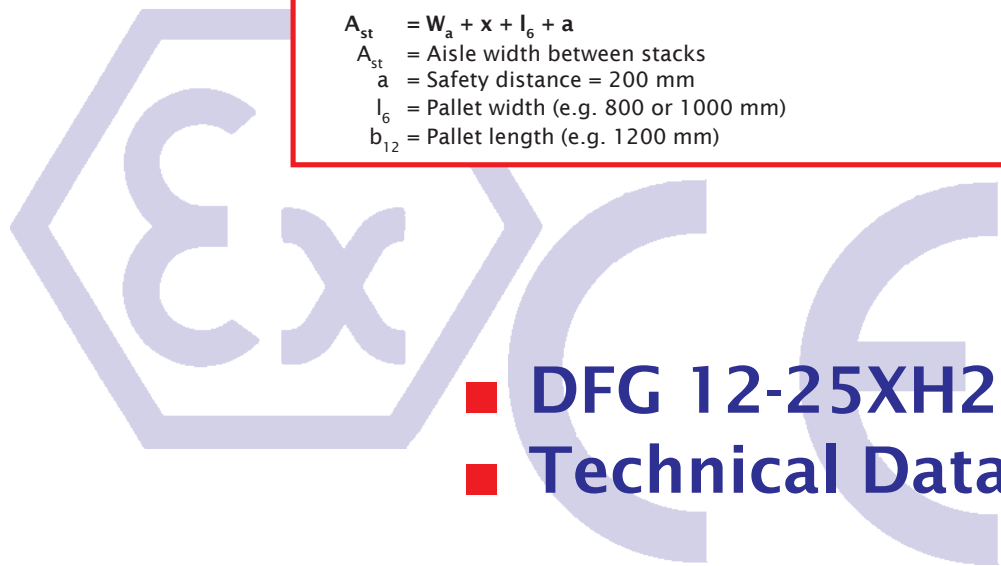
$$A_{st} = W_a + x + l_6 + a$$

A_{st} = Aisle width between stacks

a = Safety distance = 200 mm

l_6 = Pallet width (e.g. 800 or 1000 mm)

b_{12} = Pallet length (e.g. 1200 mm)



- DFG 12-25XH2
- Technical Data

MIAG Fahrzeugbau GmbH
Kocherstr. 1, 38120 Braunschweig
Fon ++49 (0531) 8 66 01-0
Fax ++49 (0531) 8 66 01-50



Technical Data

(in accord. with VDI 2198)

Diesel Fork Lift Truck

DFG 12-25 XH2, explosion-proof

Explosion-proof, type of protection Ex II 2G IIB T4, range of application Zone 1 and 2 as per BetrSichV, registered as per PTB-No.03 ATEX D037, conformity declaration PTB 03 ATEX 5016.

Description

1.1	Manufacturer (Make [abbreviation])		MIAG	MIAG	MIAG	MIAG
1.2	Type designation of the manufacturer		DFG 12XH2	DFG 16XH2	DFG 20XH2	DFG 25XH2
1.3	Drive Battery, Diesel, Petrol, fuel gas, mains current		Diesel	Diesel	Diesel	Diesel
1.4	Operation Hand, Pedestrian, stand-on, driver-seated		Driver seated	Driver seated	Driver seated	Driver seated
1.5	Carrying capacity / Load **	Q (t)	1,2	1,6	2,0	2,5
1.6	Load centre	c (mm)	500	500	500	500
1.8	Load distance, mast lowered	x (mm)	415	415	485	485
1.9	Wheel base	y (mm)	1550	1550	1600	1650

Weights

2.1	Dead weight	kg	3750	3950	4250	4470
2.2	Axle load laden front/rear	kg	4340 / 610	4900 / 650	5500 / 750	6150 / 820
2.3	Axle load unladen front/rear	kg	2080 / 1670	2080 / 1870	1930 / 2320	2060 / 2380

Wheels, Chassis

3.1	Tyres Pneumatic, Solid, Vulcollan		Pneumatic-tired	Pneumatic-tired	Pneumatic-tired	Pneumatic-tired
3.2	Dimension in front		23x9-10/20PR	23x9-10/20PR	7.00-12/16PR	27x10/14PR
3.3	Dimension at the rear		18x7-8/14PR	18x7-8/14PR	6.50-10/14PR	6.50-10/14PR
3.5	Wheels number front / rear, x=driven		2x / 2	2x / 2	2x / 2	2x / 2
3.6	Truck width front	b_{10} (mm)	945	945	1000	1000
3.7	Truck width rear	b_{11} (mm)	870	870	950	950

Base dimensions

4.1	Mast tilt /fork carriage, ago / back	Degree	2 / 6	2 / 6	2 / 6	2 / 6
4.2	Height of mast, lowered	h_1 (mm)	2158	2158	2223	2223
4.3	Free lift	h_2 (mm)	120	120	140	140
4.4	Lift at double mast	h_3 (mm)	3165	3165	3165	3165
4.5	Height of mast, raised	h_4 (mm)	3745	3745	3820	3820
4.7	Height above overhead guard (cabin)	h_6 (mm)	2230	2230	2230	2230
4.8	Seat height (seat load)	h_7 (mm)	1220	1220	1320	1320
4.12	Height coupling	h_{10} (mm)	450	450	510	510
4.19	Length total (without forks)	l_1 (mm)	3268	3268	3480	3520
4.20	Length including shank (retired)	l_2 (mm)	2268	2268	2480	2520
4.21	Width total	b_1/b_2 (mm)	1170	1170	1200	1300
4.22	Fork dimensions	$s/e/l$ (mm)	48/128/1000	48/128/1000	48/128/1000	48/128/1000
4.23	Fork carriage according to DIN 15173 / ISO 2328, A/B		A	A	A	A
4.24	Fork carriage width	b_3 (mm)	1050	1050	1050	1050
4.31	Ground clearance with load under lifting frame	m_1 (mm)	100	100	150	150
4.32	Ground clearance centre wheel base (lowest point)	m_2 (mm)	140	140	230	230
4.33	Aisle width for pallets 1000x1200 cross	A_{st} (mm)	3705	3705	3850	3900
4.34	Aisle width for pallets 800x1200 along	A_{st} (mm)	3505	3505	3650	3700
4.35	Turning radius	W_a (mm)	2090	2090	2165	2215
4.36	min. fulcrum distance	b_{13} (mm)	620	620	620	620

Performance

5.1	Speed travel laden / unladen	km / h	20 / 20	20 / 20	20 / 20	20 / 20
5.2	Speed lift laden / unladen	m / s	0,5 / 0,55	0,5 / 0,55	0,45 / 0,55	0,45 / 0,55
5.3	Speed lower laden / unladen	m / s	0,4 / 0,35	0,4 / 0,35	0,36 / 0,33	0,36 / 0,33
5.5	tractive power laden / unladen (outside expl.-proof area)	N	21000/10000	21000/10000	19000/10000	19000/10000
5.7	Climbing capacity with / without load	%	22 / 25	22 / 25	22 / 25	22 / 25
5.9	Acceleration period laden / unladen	s	6 / 5,5	6 / 5,5	6 / 5,5	6 / 5,5
5.10	Service brake		Foot brake hydr.	Foot brake hydr.	Foot brake hydr.	Foot brake hydr.

Internal Combustion Motor

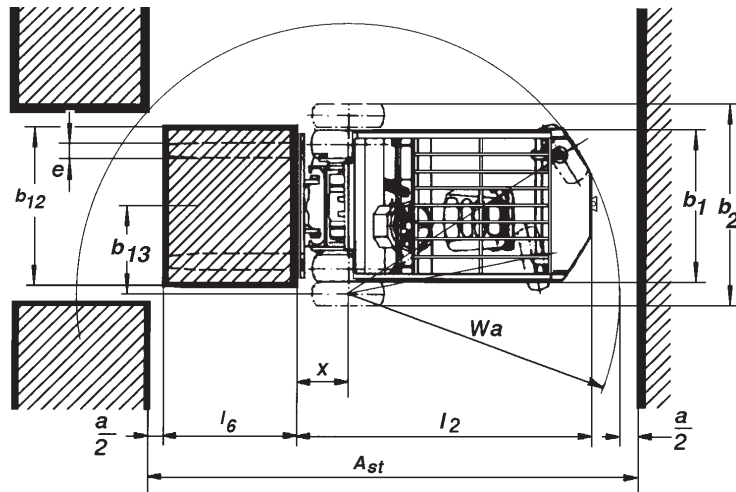
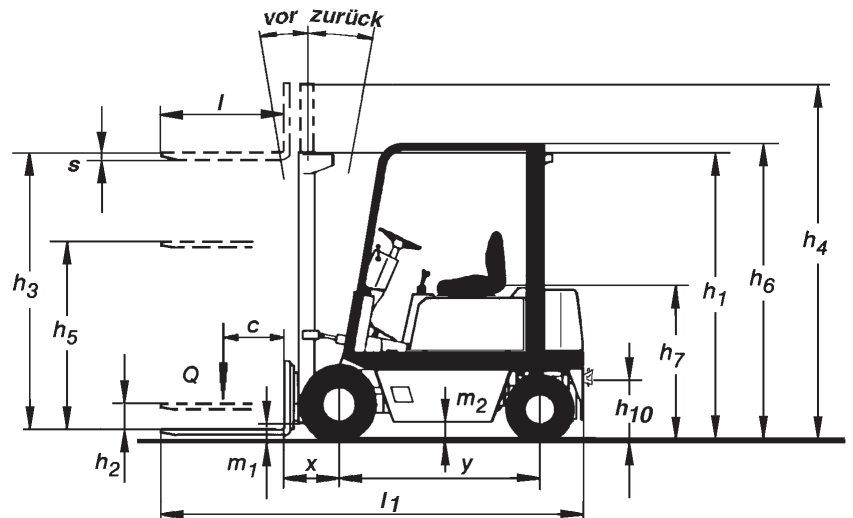
7.1	Motor manufacturer / Type		MDE 226B-3x	MDE 226B-3x	MDE 226B-3x	MDE 226B-3x
7.2	Motor rating in according with ISO 1585	kW	36	36	36	36
7.3	Rated speed	min ⁻¹	2200	2200	2200	2200
7.4	No. of cylinders / cylinder capacity	/ cm ³	3 / 3120	3 / 3120	3 / 3120	3 / 3120
7.5	Fuel consumption in according with VDI-cyclus	l / h	2,4	2,4	2,4	2,4

Others

8.1	Motor control type		hydropst.	hydropst.	hydropst.	hydropst.
8.2	Working pressure for attachments	bar	150	150	150	150
8.3	Oil quantity for attachments	l / min	12	12	12	12
8.4	Sound level at driver's ear to EN12053	dB (A)	83	83	83	83
8.5	Coupling, Kind / Type DIN		SK3J/74056	SK3J/74056	SK3J/74056	SK3J/74056

** from 3500 mm lift height reduction of carrying capacity to 80 %

*** with mast design in series, further designs on request



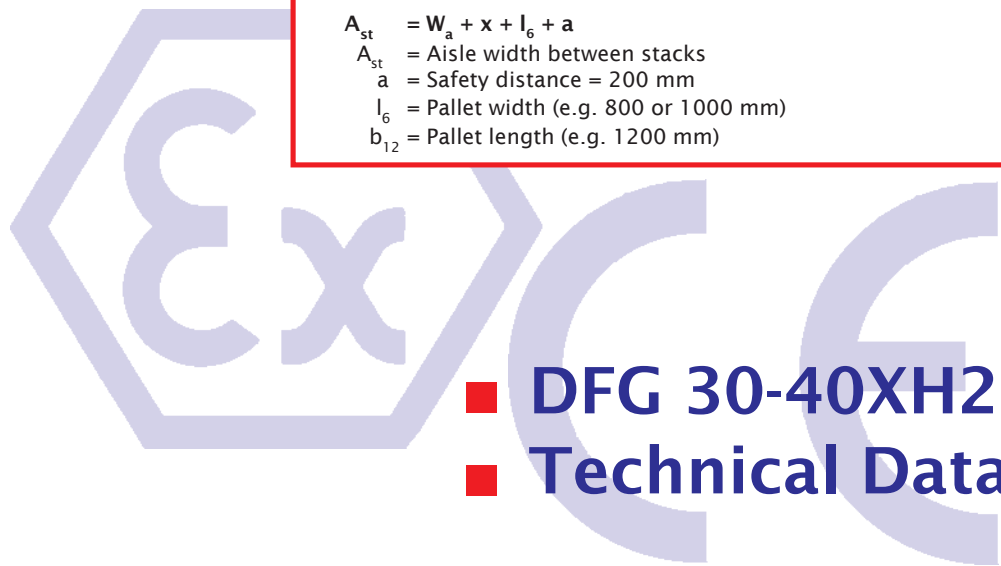
$$A_{st} = W_a + x + l_6 + a$$

A_{st} = Aisle width between stacks

a = Safety distance = 200 mm

l_6 = Pallet width (e.g. 800 or 1000 mm)

b_{12} = Pallet length (e.g. 1200 mm)



- DFG 30-40XH2
- Technical Data

MIAG Fahrzeugbau GmbH
Kocherstr. 1, 38120 Braunschweig
Fon ++49 (0531) 8 66 01-0
Fax ++49 (0531) 8 66 01-50



Technical Data

(in accord. with VDI 2198)

Diesel Fork Lift Truck

DFG 30, 40 XH2 explosion-proof

Explosion-proof, type of protection Ex II 2G IIB T4, range of application Zone 1 and 2 as per BetrSichV, registered as per PTB-No.03 ATEX D037, conformity declaration PTB 03 ATEX 5016.

Description

1.1	Manufacturer (Make [abbreviation])		MIAG	MIAG		
1.2	Type designation of the manufacturer		DFG 30XH2	DFG 40XH2		
1.3	Drive Battery, Diesel, Petrol, fuel gas, mains current		Diesel	Diesel		
1.4	Operation Hand, Pedestrian, stand-on, driver-seated		Driver seated	Driver seated		
1.5	Carrying capacity / Load **	Q (t)	3,0	4,0		
1.6	Load centre	c (mm)	500	500		
1.8	Load distance, mast lowered	x (mm)	495	495		
1.9	Wheel base	y (mm)	1750	1850		

Weights

2.1	Dead weight	kg	4580	5570		
2.2	Axle load laden front/rear	kg	6860 / 720	8640 / 930		
2.3	Axle load unladen front/rear	kg	2070 / 2510	2360 / 3210		

Wheels, Chassis

3.1	Tyres Pneumatic, Solid, Vulcollan		Pneumatic-tired	Pneumatic-tired		
3.2	Dimension in front		27x10-1214PR	27x10-1214PR****		
3.3	Dimension at the rear		23x9-10/20PR	23x9-10/20PR		
3.5	Wheels number front / rear, x=driven		2x / 2	2x / 2		
3.6	Truck width front	b ₁₀ (mm)	1186	1186****		
3.7	Truck width rear	b ₁₁ (mm)	1020	1020		

Base dimensions

4.1	Mast tilt /fork carriage, ago / back	Degree	2 / 6	2 / 6		
4.2	Height of mast, lowered	h ₁ (mm)	2283	2283		
4.3	Free lift	h ₂ (mm)	140	150		
4.4	Lift at double mast	h ₃ (mm)	3415	3165		
4.5	Height of mast, raised	h ₄ (mm)	4005	3825		
4.7	Height above overhead guard (cabin)	h ₆ (mm)	2330	2330****		
4.8	Seat height (seat load)	h ₇ (mm)	1320	1320		
4.12	Height coupling	h ₁₀ (mm)	510	510		
4.19	Length total (without forks)	l ₁ (mm)	3635	3735		
4.20	Length including shank (retired)	l ₂ (mm)	2635	2735		
4.21	Width total	b ₁ /b ₂ (mm)	1465	1465****		
4.22	Fork dimensions	s/e/l (mm)	58/128/1000	58/128/1000		
4.23	Fork carriage according to DIN 15173 / ISO 2328, A/ B		A	A		
4.24	Fork carriage width	b ₃ (mm)	1150	1260		
4.31	Ground clearance with load under lifting frame	m ₁ (mm)	150	150		
4.32	Ground clearance centre wheel base (lowest point)	m ₂ (mm)	230	230		
4.33	Aisle width for pallets 1000x1200 cross	A _{st} (mm)	4290	4390		
4.34	Aisle width for pallets 800x1200 along	A _{st} (mm)	4090	4190		
4.35	Turning radius	W _a (mm)	2380	2480		
4.36	min. fulcrum distance	b ₁₃ (mm)	700	740		

Performance

5.1	Speed travel laden / unladen	km / h	20 / 19	20 / 19		
5.2	Speed lift laden / unladen	m / s	0,28 / 0,32	0,24 / 0,32		
5.3	Speed lower laden / unladen	m / s	0,4 / 0,2	0,4 / 0,2		
5.5	tractive power laden / unladen (outside expl.-proof area)	N	17000/10000	18000/10000		
5.7	Climbing capacity with / without load	%	22 / 22	17 / 22		
5.9	Acceleration period laden / unladen	s	6 / 5	6 / 5		
5.10	Service brake		Foot brake hydr.	Foot brake hydr.		

Internal Combustion Motor

7.1	Motor manufacturer / Type		MDE 226B-4x	MDE 226B-4x		
7.2	Motor rating in according with ISO 1585	kW	48	48		
7.3	Rated speed	min ⁻¹	2200	2200		
7.4	No. of cylinders / cylinder capacity	/ cm ³	4 / 4160	4 / 4160		
7.5	Fuel consumption in according with VDI-cyclus	l / h	2,9	2,9		

Others

8.1	Motor control type		hydrost.	hydrost.		
8.2	Working pressure for attachments	bar	150	150		
8.3	Oil quantity for attachments	l / min	12	12		
8.4	Sound level at driver's ear to EN12053	dB (A)	83	83		
8.5	Coupling, Kind / Type DIN		SK3J/74056	SK3J/74056		

** from 3500 mm lift height reduction of carrying capacity to 80 %
 *** with mast design in series, further designs on request

**** solid-tired 28x12,5-15
 b₁₀ = 1206
 h₆ = 2355
 b₁ = 1502